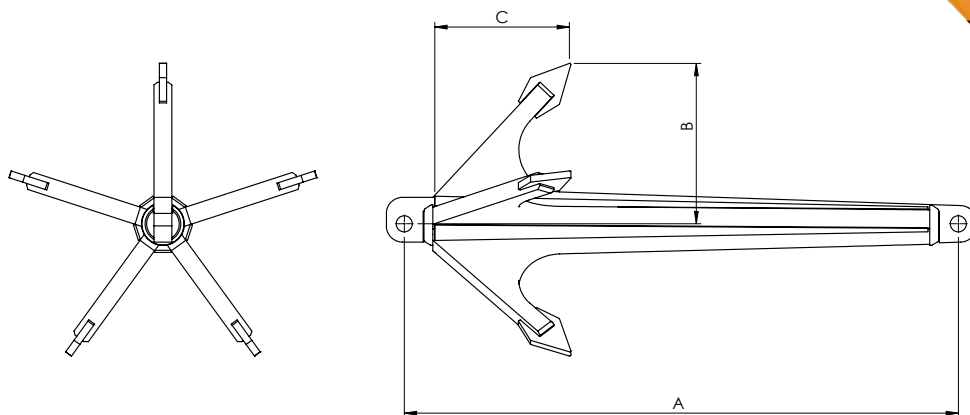


Spearpoint Grapnel

The Spearpoint grapnel consists of a shank with five prongs with reinforced tips.

Spearpoints vary in size and hence seabed penetration. The three sizes normally used are the 115kgs, 180kgs and 250kgs depending on the penetration required. They are usually used in sandy or penetrable seabeds where some resistance may be experienced.

Spearpoints are often used at the end of a Rennie and Gifford rig or have a Rennie and Gifford reversed rigged.



Features:

- Manufactured from high strength structured steel
- Integrated single piece prongs for increased strength
- Flux core welded for increased strength
- Integrated tow points
- Painted in marine friendly RAL2000 paint
- Hardox Spearpoint tips

Applications:

- PLGR (Pre Lay Grapnel Run)
- Designed for sandy seabed environments where some resistance can be experienced.
- Recovering or clearing self-buried cable
- Maintenance of cable systems
- Used in conjunction with Rennie and Gifford

Dimensions

Part Number	Description	A	B	C	WLL	Proof Load
0001-1181	115kg	950mm	385mm	300mm	13t	26t
0001-1182	180kg	1220mm	410mm	320mm	13t	26t
0001-1165	250kg	1550mm	450mm	375mm	13t	26t

Spares and Accessories Table

Part Number	Description
0050-0692	12t Shackle

*Not supplied with shackles